

5MP LightHunter Deep Learning Dome Network Camera

IPC3615SS-ADF28(40)KM-IO



Key Features



Optics

- 1/2.7", Powered by lighthunter
- Smart IR, up to 50m (164 ft) IR distance
- Up to 120 dB Optical WDR (Wide Dynamic Range)

Smart

- Smart intrusion prevention, support false alarm filtering, include Cross Line, Intrusion, Enter Area, Leave Area detection

Compression

- Ultra 265, H.265, H.264, MJPEG
- Triple streams
- 2592*1944@20fps in the main stream
- ROI (Region of Interest)

Network

- ONVIF Conformance

Structure

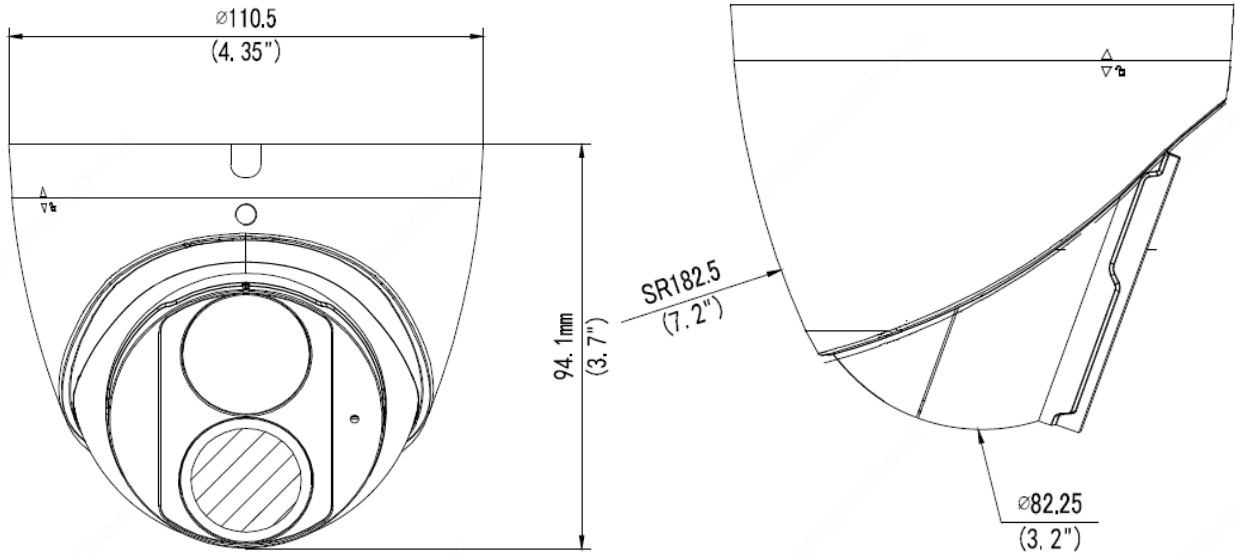
- Built-in Mic
- DC12V or PoE power supply
- Wide voltage range of $\pm 25\%$ in DC
- Micro SD, up to 256 GB
- IP67 ingress protection

Specifications

	IPC3615SS-ADF28KM-I0	IPC3615SS-ADF40KM-I0			
Camera					
Sensor	1/2.7", 5.0 megapixel, progressive scan, CMOS				
Lens	2.8mm@F1.6	4.0mm@F1.6			
Iris	Fixed				
DORI Distance	Lens (mm)	Detect (m)	Observe (m)	Recognize (m)	Identify (m)
	2.8	63.0(206.7ft)	25.2(82.7ft)	12.6(41.7ft)	6.3(20.7ft)
	4.0	90.0(295.3ft)	36.0(118.1ft)	18.0(59.1ft)	9.0(29.5ft)
Angle of View (H)	97.7°		79.6°		
Angle of View (V)	68.5°		56.6°		
Angle of View (O)	127.1°		97.9°		
Shutter	Auto/Manual, 1 ~ 1/100000s				
Adjustment angle	Pan: 0°~360°		Tilt: 0°~75°	Rotate: 0°~360°	
Min. Illumination	Colour:0.003lux (F1.6, AGC ON) 0 lux with IR				
WDR	120dB				
Day/Night	IR-cut filter with auto switch (ICR)				
S/N	>56dB				
IR Range	Up to 50m (164 ft) IR range				
Wavelength	850nm				
IR On/Off Control	Auto/Manual				
Defog	Digital Defog				
Video					
Video Compression	Ultra 265, H.265, H.264, MJPEG				
Frame Rate	Main Stream: 5MP(2592*1944),Max 20fps; 4MP(2560*1440),Max 30fps; Sub Stream: 2MP (1920*1080), Max 30fps; Third Stream: D1 (720*576), Max 30fps				
Video Bit Rate	128 Kbps~16 Mbps				
ROI	Supported				
Video stream	Triple streams				
OSD	Up to 8 OSDs				
Privacy Mask	Up to 8 areas(8 blacks/4 mosaics+4 blacks)				
Image					

White Balance	Auto/Outdoor/Fine Tune/Sodium Lamp/Locked/Auto2
Digital noise reduction	2D/3D DNR
Smart IR	Support
Flip	Normal/Flip Vertical/Flip Horizontal/180°/90°Clockwise/90°Anti-clockwise
HLC	Support
BLC	Support
Smart	
Behavior Detection	Support false alarm filtering: Line crossing detection, Intrusion detection, Region entrance detection, Region exit detection; Motion detection;
Recognition	Audio detection
General Function	Watermark, IP Address Filtering, Tampering Alarm, Access Policy, ARP Protection, RTSP Authentication, User Authentication
Audio	
Audio Compression	G.711U,G.711A
Two-way Audio	N/A
Suppression	Supported
Sampling Rate	8KHZ
Storage	
Edge Storage	Micro SD, up to 256 GB
Network Storage	ANR,NAS(NFS)
Network	
Protocols	IPv4, IGMP, ICMP, ARP, TCP, UDP, DHCP, PPPoE, RTP, RTSP, RTCP, DNS, DDNS, NTP, FTP, UPnP, HTTP, HTTPS, SMTP, 802.1x, SNMP, QoS, RTMP
Compatible Integration	ONVIF (Profile S, Profile G, Profile T), API
Client	EZStation EZLive Ezview
Web Browser	Plug-in required live view: IE9+, Chrome 41 and below, Firefox 52 and below
Interface	
Audio I/O	N/A
Alarm I/O	N/A
Built-in Mic	Supported
Network	1 * RJ45 10M/100M Base-TX Ethernet
Certification	
Certifications	CE: EN 60950-1 UL: UL 60950-1 FCC: FCC Part 15
General	
Power	DC12V(±25%), PoE(IEEE 802.3af)
	Power consumption: Max 4.4W
Dimensions (Ø x H)	Φ110.5 x 94.1mm(Φ4.35" x 3.7")
Weight	0.43kg(0.95lb)
Working Environment	-40°C ~ 60°C (-40°F ~ 140°F), Humidity: ≤95% RH (non-condensing)
Storage Environment	-40°C ~ 70°C (-40°F ~ 158°F), Humidity: ≤95% RH (non-condensing)
Surge protection	2KV
Vandal Resistant	N/A
Ingress Protection	IP67

Dimensions



Accessories

TR-JB03-G-IN



TR-JB07/WM03-G-IN



TR-WM03-D-IN



TR-UM06-E-IN



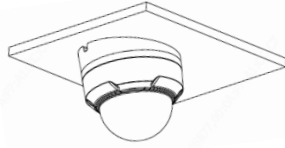
TR-A01-IN



TR-UP06-IN



Junction Mount	Pole Mount
TR-JB03-G-IN+ TR-A01-IN	TR-JB07/WM03-G-IN、 TR-WM03-D-IN+TR-UP06-IN
Tilted Mount	Wall Mount
TR-UM06-E-IN	TR-JB07/WM03-G-IN、 TR-WM03-D-IN



Zhejiang Uniview Technologies Co., Ltd.

Building No.10, Wanlun Science Park, Jiangling Road 88, Binjiang District, Hangzhou, Zhejiang, China (310051)

Email: overseasbusiness@uniview.com; globalsupport@uniview.com

<http://www.uniview.com>

©2020 Zhejiang Uniview Technologies Co., Ltd. All rights reserved.

*Product specifications and availability are subject to change without notice