

5M WDR Starlight IR Network Mini PTZ Dome Camera

IPC6415SR3-X5UPW



Key Features

Optics

- Starlight illumination
- Day/night functionality
- Smart IR , up to 30 m (98 ft) IR distance
- Up to 120 dB Optical WDR(Wide Dynamic Range)
- Optical glass window with higher light transmittance
- IR anti-reflection window to increase the infrared transmittance
- 2D/3D DNR (Digital Noise Reduction)

Compression

- Ultra 265,H.265, H.264, MJPEG
- Built-in microphone & speaker
- Triple streams
- ROI (Region of Interest)

Network

- ONVIF Conformance

Structure

- Support PoE power supply
- Built-in PoE splitter that outputs DC 12
- Wide temperature range: -10°C to 50°C (14°F to 122°F)
- Wide voltage range of ±25%

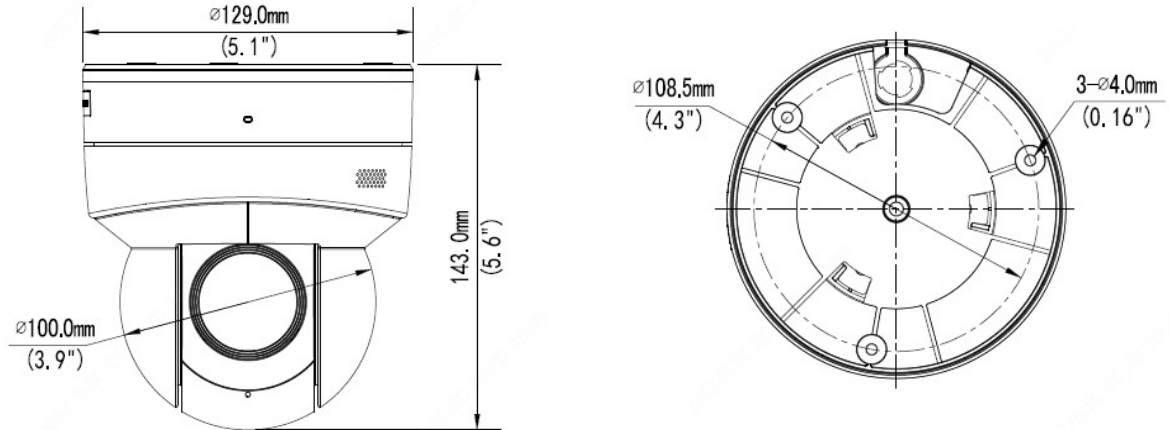
Specifications

IPC6415SR3-X5UPW																
Camera																
Sensor	1/2.8" progressive scan, 5.0 megapixel, CMOS															
Lens	2.7~13.5mm , AF automatic focusing and motorized zoom lens															
DORI Distance	<table border="1"> <thead> <tr> <th>Lens</th> <th>Detect(m)</th> <th>Observe(m)</th> <th>Recognize(m)</th> <th>Identify(m)</th> </tr> </thead> <tbody> <tr> <td>2.7mm</td> <td>40.5</td> <td>16.2</td> <td>8.1</td> <td>4.1</td> </tr> <tr> <td>13.5mm</td> <td>202.5</td> <td>81.0</td> <td>40.5</td> <td>20.3</td> </tr> </tbody> </table>	Lens	Detect(m)	Observe(m)	Recognize(m)	Identify(m)	2.7mm	40.5	16.2	8.1	4.1	13.5mm	202.5	81.0	40.5	20.3
	Lens	Detect(m)	Observe(m)	Recognize(m)	Identify(m)											
	2.7mm	40.5	16.2	8.1	4.1											
13.5mm	202.5	81.0	40.5	20.3												
Angle of View (H)	105.3°~25.4°															
Angle of View (V)	69.5°~18.4°															
Angle of View (O)	136.9°~30.0°															
Adjustment angle	Pan: 0°~350° Tilt: 0°~90° Rotate: 0°~350°															
Shutter	Auto/Manual, shutter time: 1 s ~ 1/100000 s															
Minimum Illumination	Colour: 0.005 lux (F1.2,AGC ON) 0 lux with IR															
Iris	F1.2															
Day/Night	IR-cut filter with auto switch (ICR)															
Digital noise reduction	2D/3D DNR															
S/N	>55 dB															
IR Range	UP to 30m (98ft)															
Defog	Digital Defog															
WDR	120dB															
Video																
Video Compression	Ultra 265,H.265, H.264, MJPEG															
H.264 code profile	Baseline profile, Main Profile, High Profile															
Frame Rate	Main Stream:5M (2592*1944):Max. 30 fps; Sub Stream: 1080P (1920*1080):Max. 30 fps; Third Stream: D1 (720*576): Max. 30 fps															
HLC	Supported															
BLC	Supported															
EIS	Supported															
OSD	Up to 8 OSDs															
Privacy Mask	Up to 8 areas															
ROI	Up to 8 areas															

Motion Detection	Up to 4 areas
Smart	
Behavior Detection	Intrusion, cross line, motion detection, Auto tracking
Intrusion	Enter and loiter in a pre-defined virtual region
cross line	Cross a pre-defined virtual line
motion detection	Moving within a pre-defined virtual region
auto tracking	Tracking the specified target
Recognition	Face detection、Audio detection
Intelligent Identification	Defocus, Scene Change, Object Left, Object Moving
Statistical Analysis	People counting
General Function	Watermark, IP Address Filtering, Tampering Alarm, Alarm input, Alarm output, Access Policy, ARP Protection, RTSP Authentication, User Authentication
heat map	Supported
Audio	
Audio Compression	G.711
Suppression	Supported
Sampling Rate	8 KHZ
Storage	
Edge Storage	Micro SD, up to 256 GB
Network Storage	ANR
Network	
Protocols	IPv4, IGMP, ICMP, ARP, TCP, UDP, DHCP, PPPoE, RTP, RTSP, RTCP, DNS, DDNS, NTP, FTP, UPnP, HTTP, HTTPS, SMTP, 802.1x, SNMP, SSL
Compatible Integration	ONVIF(Profile S, Profile G), API
Pan & Tilt	
Pan Range	350°
Pan Speed	0.1°/s ~ 60°/s
	Preset speed: 60°/s
Tilt Range	0° ~ 90° (auto reverse)
Tilt Speed	0.1° ~ 50°/s
	Preset speed: 50°/s
Number of Presets	256
Patrol	Preset patrol, route patrol, recorded patrol
Home Position	Supported
Interface	
Alarm I/O	1/1
Serial Port	1 RS485
Network	1 RJ45 10M/100M Base-TX Ethernet
Built-in Mic	Supported
Built-in Speaker	Supported
WIFI	Supported
General	
Power	DC 12V±25%, PoE (IEEE802.3 af)
	Power consumption: Max 12W
Dimensions (∅ x H)	∅129mm×143mm(∅5.07" x5.63")

Weight	3kg(6.6lb)
Working Environment	-10°C ~ +50°C (14°F ~ 122°F), Humidity:10%~90% RH(non-condensing)
Reset Button	Supported

Dimensions



Zhejiang Uniview Technologies Co., Ltd.

South Tower, Building 10, Wanlun Science Park, 88 Jiangling Road, Hangzhou, P.R.China 310051

Email: overseasbusiness@uniview.com; globalsupport@uniview.com

<http://www.uniview.com>

©2018 Zhejiang Uniview Technologies Co., Ltd. All rights reserved.

*Product specifications and availability are subject to change without notice.