

# 2MP WDR Starlight Network Box Camera

IPC562E-DUG



## Key Features

### Optics

- HD starlight surveillance
- Auto day/night functionality
- Up to 120 dB WDR(Wide Dynamic Range)
- 2D/3D DNR (Digital Noise Reduction)

### Compression

- Ultra 265,H.265, H.264, MJPEG
- Embedded smart algorithm
- Triple streams
- ROI (Region of Interest)
- 9:16 corridor format

### Network

- Optional network interfaces with Ethernet RJ45 and optical SFP
- ONVIF Conformance

### Structure

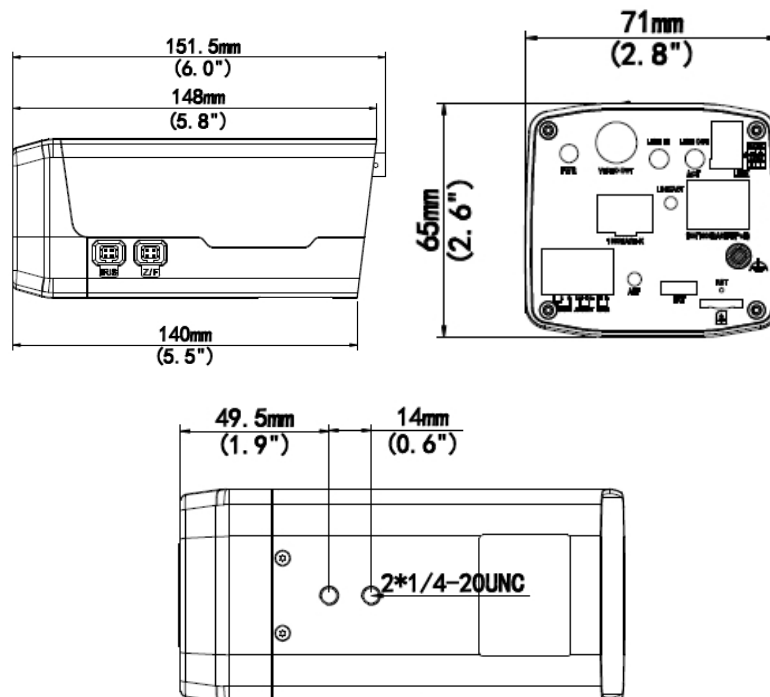
- AC 24V /DC 12 V/PoE with uninterruptible power supply
- Wide temperature range: -20°C to 60°C (-4°F to 140°F)
- Wide voltage range of  $\pm 25\%$
- 6 KV surge protection designed for network interface

## Specifications

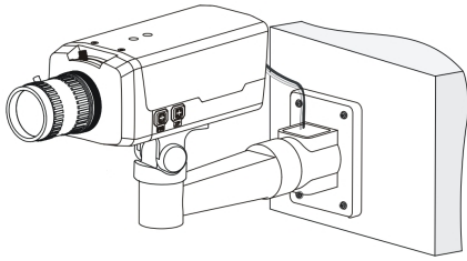
	IPC562E-DUG
<b>Camera</b>	
Sensor	1/1.9" progressive scan ,CMOS
Lens Mount	CS
Shutter	Auto/Manual, 1/6~1/100000 s
Minimum Illumination	Colour: 0.0005 Lux (F1.2, AGC ON) B/W:0.0005 Lux(F1.2, AGC ON)
Iris	DC-Iris 4V (4-Pin)/P-Iris 5V (4-Pin)
Day & Night	Automatically removable IR-cut filter(ICR)
Digital noise reduction	2D/3D DNR
Motor Zoom/focus	DC 5V (4-Pin)
S/N	>52dB
Defog	Optical Defog & Digital Defog
WDR	120dB
<b>Video</b>	
Video Compression	Ultra 265,H.265, H.264, MJPEG
H.264 code profile	Baseline profile, Main Profile, High Profile
Frame Rate	Main Stream:2MP (1920×1080): Max. 60 fps; Sub Stream:2MP (1920×1080): Max. 60 fps; Third Stream:D1 (720×576): Max. 60 fps
9:16 Corridor Mode	Supported
HLC	Supported
BLC	Supported
ABF	Supported
OSD	Up to 8 OSDs
ROI	Up to 8 areas
Privacy Mask	Up to 8 areas
Motion Detection	Up to 4 areas
<b>Smart</b>	
Behavior Detection	Intrusion, cross line, motion detection
Intrusion	Enter and loiter in a pre-defined virtual region
cross line	Cross a pre-defined virtual line
motion detection	Moving within a pre-defined virtual region
Recognition	Face detection、 Audio detection
Intelligent Identification	Defocus, Scene Change
Statistical Analysis	People counting
General Function	Watermark, IP Address Filtering, Tampering Alarm, Alarm input, Alarm output, Access Policy, ARP Protection, RTSP Authentication, User Authentication
<b>Audio</b>	
Audio Compression	G.711
Two-way Talking	Supported
Suppression	Supported
Sampling Rate	8 KHZ

Storage	
Edge Storage	Micro SD, up to 128 GB
Network Storage	ANR
Network	
Protocols	IPv4, IGMP, ICMP, ARP, TCP, UDP, DHCP, PPPoE, RTP, RTSP, RTCP, DNS, DDNS, NTP, FTP, UPnP, HTTP, HTTPS, SMTP, 802.1x, SNMP
Compatible Integration	ONVIF(Profile S, Profile G), API
Interface	
Audio I/O	3.5 mm audio interface
	Input: impedance 35 k $\Omega$ ; amplitude 2 V [p-p]
	Output: impedance 600 $\Omega$ ; amplitude 2 V [p-p]
Alarm I/O	2 / 1
Serial Port	1 RS485 (support Pelco-D/P)
Network	1 RJ45 100M/1000M Base-FX SFP + 100M/1000M Base-TX Ethernet
Video Output	1 BNC, impedance 75 $\Omega$ ; amplitude 1 V [p-p]
General	
Power	24 V AC $\pm$ 25%, 12 V DC $\pm$ 25%, PoE (IEEE802.3 af)
	Power consumption: Max 6.8W
Dimensions (L x W x H)	151.5 x 71 x 65 mm (6.0" x 2.8" x 2.6") (excluding the lens)
Weight	0.48 kg (1.1 lb)
Working Environment	-20°C ~ 60°C (-4°F ~ 140°F), Humidity :10%~90% RH(non-condensing)
Reset Button	Supported

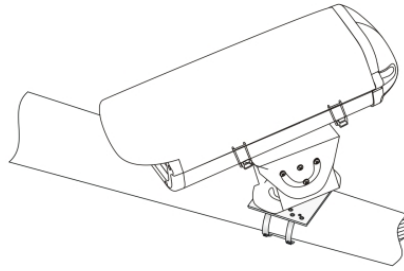
## Dimensions



## Installation



Bare mount



Housing mount

## Accessories

Installation mode	Accessories	Description
Bare mount	TR-UM06-A-IN	Indoor wall, pendant, or desktop installation
Housing mount	Indoor housing: HS-108-IN Outdoor housing: HS-215S-IN, HS-215SHB-IN	Outdoor installation
Corridor Format mount	L-shaped mount: TR-SM06-IN	/

### Zhejiang Uniview Technologies Co., Ltd.

Building No.10, Wanlun Science Park, Jiangling Road 88, Binjiang District, Hangzhou, Zhejiang, China (310051)

Email: [overseasbusiness@uniview.com](mailto:overseasbusiness@uniview.com); [globalsupport@uniview.com](mailto:globalsupport@uniview.com)

<http://www.uniview.com>

©2015-2018 Zhejiang Uniview Technologies Co., Ltd. All rights reserved.

\*Product specifications and availability are subject to change without notice.