

Fixed Dome Junction Box

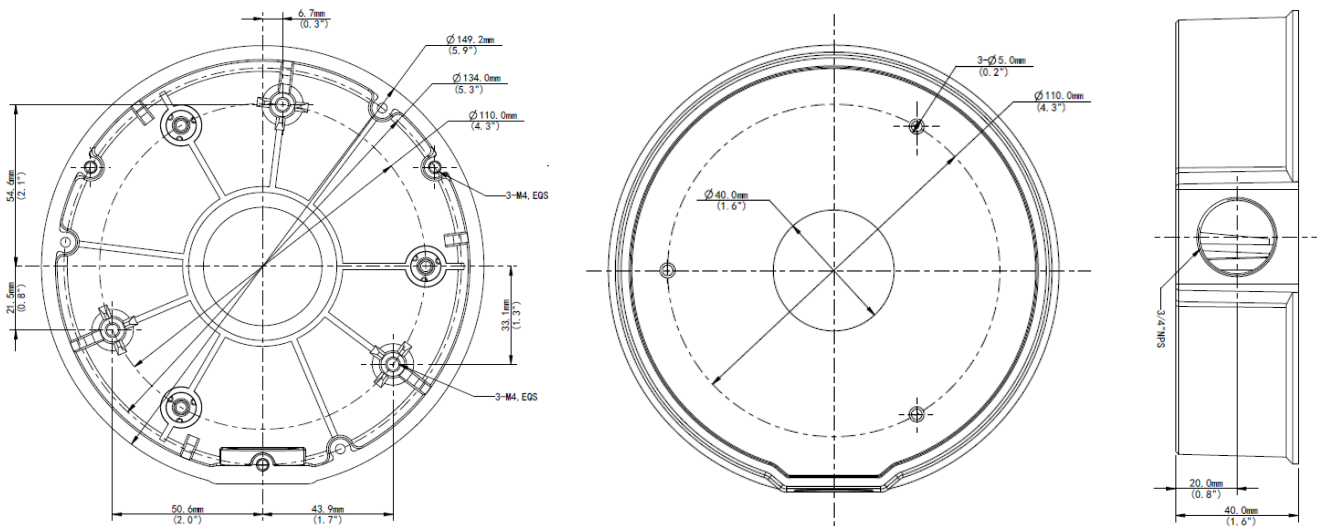
TR-JB04-B-IN



Specifications

Bracket	TR-JB04-B-IN
Application	Wall installation for IPC34 Series fixed dome and IPC81 Series fisheye camera
Dimensions	Φ149.2mmx40mm (5.9" x1.6")
Weight	0.28kg(0.6lb)
Material	Aluminum alloy

Dimensions



Zhejiang Uniview Technologies Co.,Ltd.

South Tower, Building 10, Wanlun Science Park, 88 Jiangling Road, Hangzhou, P.R.China 310051

Email: overseasbusiness@uniview.com; globalsupport@uniview.com

<http://www.uniview.com>

©2015 Zhejiang Uniview Technologies Co.,Ltd. All rights reserved.

*Product specifications and availability are subject to change without notice.