

4K Ultra-HD Network IR PTZ Dome Camera

IPC6858SR-X22



Key Features

Optics

- 22X Optical Zoom
- Fifth-generation infrared technology, more than 250m (820ft) IR distance
- IR anti-reflection window to increase the infrared transmittance
- Optical glass window with higher light transmittance
- Smart IR
- EIS (Electronic Image Stabilization)

Compression

- 12 Megapixel image
- Ultra 265, H.265, H.264, MJPEG
- Embedded smart algorithm
- Triple streams
- Customized OSD

Network

- ONVIF Conformance

Structure

- Innovative snow-removing functionality
- Intelligent temperature control technology
- More effective heat dissipation system
- 6 KV surge protection designed for network interface

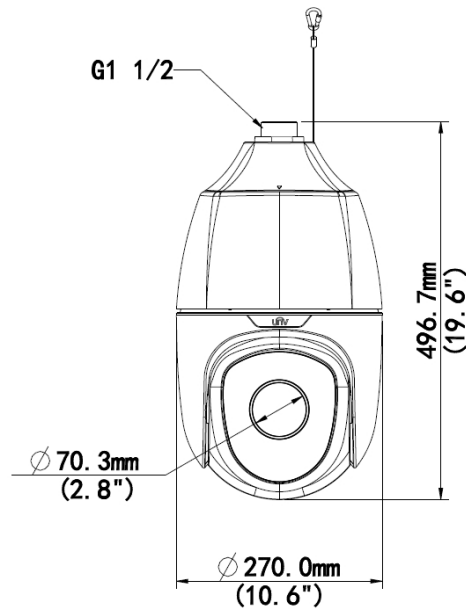
Specifications

IPC6858SR-X22					
Camera					
Sensor	1/1.7" progressive scan, 12.0 megapixel, CMOS				
Lens	6.5~ 143 mm				
Digital Zoom	16				
Optical Zoom	22				
DORI Distance	Lens	Detect(m)	Observe(m)	Recognize(m)	Identify(m)
	6.5mm	158.1	63.2	31.6	15.8
	143mm	3478.4	1391.4	695.7	347.8
Angle of View (H)	56.69°~3.19°				
Angle of View (V)	34.2°~1.6°				
Angle of View (O)	69.7°~3.7°				
Shutter	Auto/Manual, shutter time: 1/6 s ~ 1/8000 s				
Minimum Illumination	Colour: 0.01 lux (F1.5,AGC ON) 0 lux with IR				
Iris	Auto/Manual, F1.5 ~ F3.4				
Day/Night	IR-cut filter with auto switch (ICR)				
Digital noise reduction	2D/3D DNR				
S/N	>55 dB				
IR Range	UP to 250m (820ft)				
Defog	Digital Defog				
WDR	DWDR				
Video					
Video Compression	Ultra 265,H.265, H.264, MJPEG				
Frame Rate	Main Stream:12 MP(4000×3000):Max.20 fps, 8MP(3840 × 2160): Max.25fps, 2MP(1920×1080)@30fps; Sub Stream:2MP(1920×1080) : Max. 30fps; Third Stream: D1 (720×576): Max. 30fps				
HLC	Supported				
BLC	Supported				
EIS	Supported				
ROI	Up to 8 areas				
OSD	Up to 8 OSDs				
Privacy Mask	Up to 24 areas				

Motion Detection	Up to 4 areas
Smart	
Behavior Detection	Intrusion, cross line, motion detection
Intrusion	Enter and loiter in a pre-defined virtual region
cross line	Cross a pre-defined virtual line
motion detection	Moving within a pre-defined virtual region
Recognition	Face detection、Audio detection
Intelligent Identification	Defocus, Scene Change
Statistical Analysis	People counting
General Function	Watermark, IP Address Filtering, Tampering Alarm, Alarm input, Alarm output, Access Policy, ARP Protection, RTSP Authentication, User Authentication
Audio	
Audio Compression	G.711
Two-way Audio	Supported
Suppression	Supported
Sampling Rate	8 KHZ
Storage	
Edge Storage	Micro SD, up to 128 GB
Network Storage	ANR
Network	
Protocols	IPv4, IGMP, ICMP, ARP, TCP, UDP, DHCP, PPPoE, RTP, RTSP, RTCP, DNS, DDNS, NTP, FTP, UPnP, HTTP, HTTPS, SMTP, 802.1x, SNMP
Compatible Integration	ONVIF(Profile S, Profile G), API
Pan & Tilt	
Pan Range	360°
Pan Speed	0.1°/s ~ 240°/s
	Preset speed: 300°/s
Tilt Range	-15° ~ +90° (auto reverse)
Tilt Speed	0.1° ~ 160°/s
	Preset speed: 240°/s
Number of Presets	1024
Patrol	Preset patrol, route patrol, recorded patrol
Home Position	Supported
Interface	
Audio I/O	Audio cable
	1 Input: impedance 35 kΩ; amplitude 2 V [p-p]
	1 Output: impedance 600 Ω; amplitude 2 V [p-p]
Alarm I/O	2 / 1
Serial Port	1 RS485
Network	1 RJ45 10M/100M Base-TX Ethernet
Video Output	1 BNC, impedance 75 Ω; amplitude 1 V [p-p]
General	
Power	24 V AC±25% (Default), 24 V DC±25%
	Power consumption: 16 W ~ 56 W
Dimensions (∅ x H)	∅270mm×496.7mm(∅10.6" x 19.6")

Weight	9.69kg(21.4lb)
Working Environment	-40°C ~ +70°C (-40°F ~ 158°F), Humidity:10%~ 95% RH(non-condensing)
Ingress Protection	IP66

Dimensions



Accessories

Installation mode	Accessories	Description
Pendant mount	TR-CE45-IN bracket	/
	Pendant components: TR-UF45-A-IN ceiling plate TR-SE45-IN pendant rod (200mm) TR-SE45-A-IN pendant rod (500mm)	Ceiling plate is optional with different pendant rod for various applications
Standing pole mount	Customized bracket	The interface is designed with internal G1½ screws. The screw depth must be more than 23 mm
Wall mount	TR-WE45-IN bracket	/
Corner mount	TR-WE45-IN bracket + TR-UC08-A-IN bracket	/
Pole mount	TR-WE45-IN bracket + TR-UP08-A-IN bracket	/

Zhejiang Uniview Technologies Co., Ltd.

South Tower, Building 10, Wanlun Science Park, 88 Jiangling Road, Hangzhou, P.R.China 310051

Email: overseasbusiness@uniview.com; globalsupport@uniview.com

<http://www.uniview.com>

©2016-2018 Zhejiang Uniview Technologies Co., Ltd. All rights reserved.

*Product specifications and availability are subject to change without notice.