

HPRC M100-4600W-01



- 1 Dji Matrice 100 with assembled guidance
- 2 6 x Spare Batteries
- 3 Zenmuse X5 / X3 Gimbal
- 4 Battery Charger
- 5 Propellers
- 6 Remote Controller
- 7 Miscellaneous / Small Accessories



TECHNICAL FEATURES

Dimension:

internal dimension
611x611x345(mm) - 24.05x24.05x13.58(in)
external dimension
670x677x388.5(mm) - 26.38x26.65x15.3(in)

Weight:

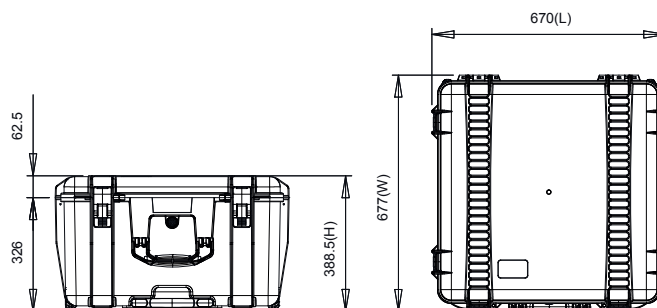
empty: 9,9kg - 21.83lbs

Temperature rating:

Minimum Maximum
-40°C -40°F +80°C +176°F



TECHNICAL DRAWING



HPRC®

Plaber s.r.l. - HPRC cases

Via Div Tridentina, 10
I-36061 Bassano del Grappa
Vicenza - Italy

Tel +39 0424 809150
Fax +39 0424 808548

USA office and warehouse:

HPRC USA
240 Anderson Avenue
07074 Moonachie - New Jersey

Tel +1 201 617 2010
Fax +1 201 617 2001

www.hprc.it
E: info@hprc.it



APPROVALS
ATA 300
IP67
STANAG 4280
DS 81-41

TEST
DROP
IMPACT
HANDLE
WATERTIGHT INTEGRITY
UV COLOR AND MATERIAL
PROTECTION

volume in litres

